



myPRO^{XL} Smart Professional Dryer

Built for **smart businesses** needing **extra capacity, longer durability** and **ultra-speed** on a sensible budget

Benefits and features

- ▶ **Top durability with 15.000+ cycle lifetime**
 - Built with commercial components and last nearly six times* longer than domestic dryers
 - Drum supported by five roller bearings for long life
 - Easy to clean, heavy duty lint screen
- ▶ **Faster and more efficient drying process**
 - Larger drying load capacity: 12 kg
 - Larger capacity can handle oversized loads with ease
 - Axial airflow ensures the shortest drying time and extremely low energy usage
- ▶ **Increased flexibility and serviceability**
 - OPL as default, Coin is an optional accessory
 - Optional retrofitable stacking kits for dryer+dryer
 - Extra large door opening for easy loading and unloading
 - Real-time clock for happy hour, promotional pricing
 - Roller supported tumbler with less vibration and noise
 - Front access for easy serviceability

Accessories

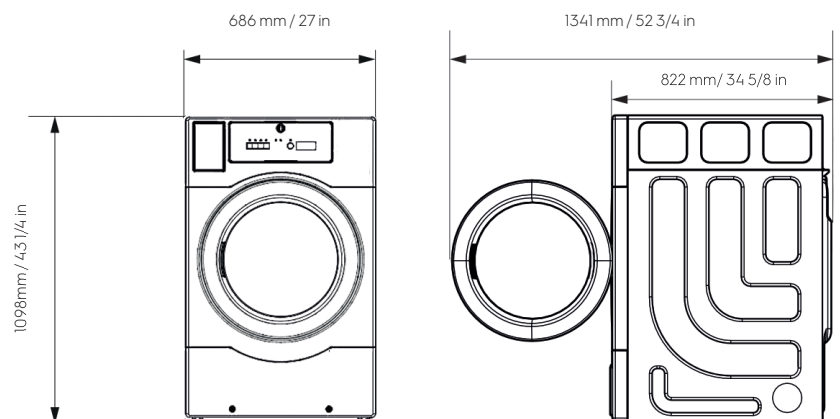
- ▶ **Electronic coinmeter for standard alone coin installation**
- ▶ **Mechanical coinmeter for stacked coin installation**
- ▶ **Retrofitable kits for stacked installation both OPL and coin installation**

* Compared to domestic machines

Main specifications at a glance

| | |
|-------------------------|------|
| Drying capacity, kg | 12 |
| Drum volume, l | 218 |
| Energy consumption, kWh | 7.21 |

Dimensions

TE1220E


myPRO^{XL} Smart Professional Dryer

Specifications TE1220E

| | |
|-------------------------------|---------------------------------------|
| Heating type | Electric, 4.83 kW |
| Electrical connection, V/Hz/A | 220-240/50Hz/22 |
| Type of drying | Vented |
| Air flow (CFM) | 151 |
| Motor (HP) | 1/4 |
| Declared drying noise, dB(A) | 68 |
| Display | LED |
| Filter | Filter with handle for easier removal |
| Levelling feet | 4 adjustable feet |

Connections

| | |
|---------------------------------|-------------|
| Air outlet diameter (mm/in) | 99.8/ 3 7/8 |
| Exhaust outlet diameter (mm/in) | 102/4 |

Programs

| | |
|-------------------------------|---|
| Number of programs | 4 |
| High / Medium / Low / No heat | |

Dimensions

| | |
|---------------------------------|--|
| Product - WxHxD (mm/in) | 686x1098x822 27x43 1/4 x 32 3/8 |
| Width Door Opening (mm/in) | 1341/52 3/4 |
| Carton - WxHxD (mm/in) | 770 x 1290 x 880 30 3/8 x 50 3/4 x 34 5/8 |
| Weight - product/carton (kg/lb) | 70/86 154/190 |

