



ENGLISH



WIDE IRONING TABLE WITHIN BOILER, VACUUM

- HSL-KP-02G
- HSL-KP-02GK
- HSL-KP-02GKI



OPERATING MANUAL

CONTENTS

Manufacturer Information:	:3
Meaning of Safety Symbols	:4
Description And Intended Use:	:5
Technical Specifications:	:5
Technique Drafting:	:6
Part List:	:7
Storage:	:7
Transport And Handling:	:8
General Safety Precautions:	:9-10
Mounting Instructions:	:11
Using Instructions:	:12
Maintenance Instructions:	:13
Dismantling And Disposal:	:13
Trouble Fixing	:14-15

MANUFACTURER INFORMATION

Dear Customer,

Firstly, congratulations for your selection. Hasel have been manufactured industrial type ironing machines since 1985 in Turkey. In production stage Hasel concerns about high quality, low price with no compensation of quality and no harm to nature.

This manual contains information about usage of HSL-KP-02G,HSL-KP-02GK,HSL-KP-02GKI. This information intended to help operator. Any problems/questions about this manual should be informed to our head office to obtain necessary information by e-mail or telephone.

MANUFACTURER: HASEL ÜTÜ SAN. ve TİC.LTD. ŞTİ

FACTORY: İkitelli Organize San. Böl. Demirciler San. Sit.B2

Blok No: 71- 72 Başakşehir –İstanbul / TURKEY

Tel: +90 212 671 32 43

Tel:+90 212 671 41 02

Tel:+90 212 520 74 40

Fax:+90 212 671 32 44

WEB: <http://www.haselutu.com.tr>

E- MAIL: info@haselutu.com.tr

DEAR CUSTOMER,

If you want to get best efficiency from the product please read this manual thoroughly before operating the product and retain it for future reference.

MEANING OF SAFETY SYMBOLS



**Read the manual
before use**



**Do not try to repair only
Without Qualified Person**



Electricity



High Temperature



Main Grounding



Internal Grounding



**Stop the machine
before maintenance**

DESCRIPTION AND INTENDED USE

Product Name: Wide Ironing Table Within Boiler, Vacuum
Model No:

- **HSL-KP-02G:** Narrow Ironing Table With Boiler and Vacuum
- **HSL-KP-02GK:** Narrow Ironing Table With Boiler Vacuum and Swivel Arm.
- **HSL-KP-02GKI:** Narrow Ironing Table With Boiler Vacuum and Arm Heating.

These machines are used for ironing all types of clothes.

Models with arm make ironing easier and better for arms of clothes.

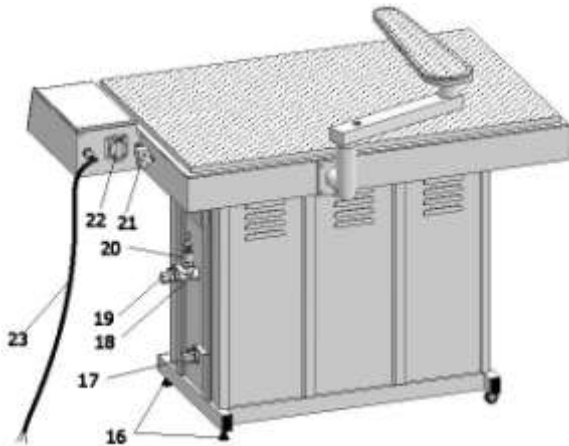
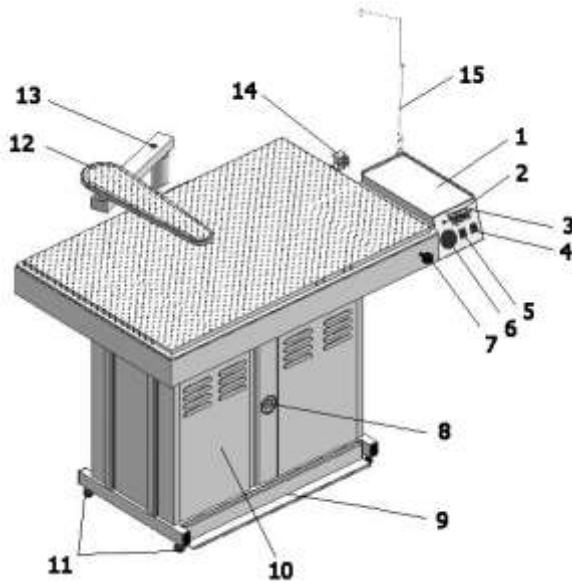
Using machine with the exception of above determined condition eliminates manufacturer's responsible for damage and injury.

TECHNICAL SPECIFICATIONS

TYPE	HSL-KP-02G	HSL-KP-02GK	HSL-KP-02GKI
Voltage	230/400 V	230/400 V	230/400 V
Frequency	50 Hz	50 Hz	50 Hz
Total Power	8,5 kW	8,5 kW	9 kW
Power of Pump	0,37 kW	0,37 kW	0,37 kW
Vacuum Motor	0,55 kW	0,55 kW	0,55 kW
Power of Resist.	5 kW	5 kW	5 kW
Working Pressure	3,5 bar	3,5 bar	3,5 bar
Water Tank Capa.	20 lt	20 lt	20 lt
Steam Capacity	5 kg/h	5 kg/h	5 kg/h
IP Code	Ip 54	Ip 54	Ip 54
Dimensions	140*80*91 cm	140*90*93 cm	140*90*93 cm
Weight	88 kg	93 kg	93 kg

TECHNIQUE DRAFTING

HSL-KP-02GKI



PART LIST

PART NAME	NO
Seat For Iron	1
Thermostat Signal Lamp	2
Water Signal Lamp	3
Hand Iron Switch	4
Main Switch	5
Thermostat	6
Changing Rod For Vacuuming	7
Manometer	8
Vacuum Pedal	9
Water Tank's Cover	10
Wheels	11
Swivel Arm	12
Arm Heating Switch	13
Solenoid Valve	14
Cable And Hose Holder	15
Feet	16
Water Discharge Valve	17
Link Pipe	18
Steam Discharge Valve	19
Safety Valve	20
Solenoid Valve Socket	21
Hand Iron Socket	22
Power Cable	23

STORAGE

Store the packed machine in a appropriate place, protected and not subject to bad weather. For a temporary lack of usage, clean it carefully and cover it with a cloth. Discharge water inside the generator if it is not used for long time. Never subject to bad weather.

TRANSPORT AND HANDLING

To avoid damages to machine, people and environment, take the maximum attention and care during handling of the machine. Comply with the precautions necessary and marked on the cards on the packing and follow chapters carefully.

Unpacking And Handling

Machine is packed in two ways

- Wrapped by thick nylon or
- Placed in a wooden cage.

If the machine is wrapped by a nylon cover, by putting on transpalette or lifting up; carry it to where you want to place.

If the machine placed in a wooden cage, remove the straps and take it out of the wooden structure. By putting on transpalette or lifting up; carry it to where you want to place.

GENERAL SAFETY PRECAUTIONS



When using power tools, the following basic safety measures are to be observed to protect against electrical shock, personal injury and risk of fire.

Safe operation is enable only if the operation manual is read entirely before attempting to operate the machine and all the content is conformed.

- Disorder in the working area increases risk of an accident.
- Provide good lighting.
- During any operation or fixing on the machine please take care and consider all the precautions which are pointed on warning signs and labels. All warning labels which are placed on machine, meanings were pointed above. Please pay attention.
- Do not use machine in the vicinity of combustible fluids or gases.
- Do not let people other than those who are sufficiently trained, to operate the machine.
- This machine is in accordance with the relevant safety regulations. Repairs must be performed only by an electrical specialist, otherwise accidents can result fort he operator.
- Do not work the machine when it is out of its usage limits.
- Use the identified spare parts and accessories in order to improve the security.
- If it is necessary change the damaged parts with the original ones. The manufacturer is not responsible any damage or injury because of using unoriginal parts.

GENERAL SAFETY PRECAUTIONS

- Fix the machine to contact arm for protection earth. If the machine is not earthed manufacturer doesn't bear responsibility for any damage or injury occurred by lack of grounding.
- The power cable must be placed properly in order to prevent being stepped on or being put anything on it. Check the cable especially at out going points and connection points. Be careful not to allow any bending or bowing on the cable.
- If the cable is damaged turn off the main switch. Do not allow the machine to work with damaged cable. Let the authorized electrician shift the cable.
- User should not leave the machine alone while it is working.
- When machine Works do not touch base of hand iron.
- Before start maintenance turn off main switch.
- Do not touch hot places if the covers are removed at the maintenance. Electric and steam output must be off.
- Do not start to work until fix cover.
- The machine is under the acceptable noise merit. There is no vibration and radiation spreading.
- The machine can work in a closed area.
- The machine can work between +5-40 °C
- Do not work machine upper 100 ° C. Table cloths can be burned.

IF THE USERS DO NOT FOLLOW THE CAUTIONS LISTED ABOVE MANUFACTURER WILL NOT BE RESPONSIBLE OF ANY ACCIDENT AND INJURIES

MOUNTING INSTRUCTIONS

1. **1. If the product is three phase:** Prepare a panel near to machine on the wall with 25A an automatic fuse, and earthed socket suitable for 400 V AC-50 Hz.

If the product is single phase: Prepare a panel near to machine on the wall with 25A a fuse, and earthed socket suitable for 230 V AC-50 Hz.



Let a qualified electrician prepare the electric connections of the Machine. Your cable connection must be as it's written in the mounting instruction. Your machine can get trouble by low or high voltage, and this situation is not in guarantee. You can obviate the low or high voltage by using an automatic voltage regulator.

2. Water discharge valve (**17**) will be connected to the canalization installation by the hose which can resist 100°C

3. Connect the power cable (**23**) to socket. Do not forget to earth the machine. Otherwise the manufacturer is not responsible for any damage or injury occurred by lack of grounding.

4. Mount the end of the iron hose to nipple of solenoid valve (**14**), mount the other end of iron hose to nipple of hand iron with hose clamps.

5. Put the hand iron's plugs to socket (**22**). If hand iron doesn't work; reverse plug than put to socket again

USING INSTRUCTIONS

1. Fill the water tank with purified water. Not allow to overflow. If no water in the tank the machine does not work.
2. Turn off water discharge valve (17).
3. Turn on main switch (5).
4. When the manometer (8) reach to 3,7 bars you can start to work..

If the steam pressure gets over 5 bars turn off the main switch at your electric panel and main switches at your machine, than call a service

If the pump gets air during filling up water, rip out the screw onto the pump than tighten up the screw until water comes. Dry operating of pump will able to damage it after about 5 minutes.

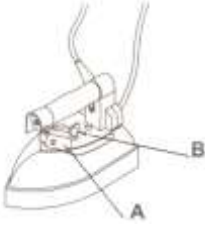
5. When the main switch is opened, turn the heater thermostat (6) on. Adjust the working temperature by using the table heater thermostat between 60-90°C. Do not forget if machine works upper 100°C long time, table cloth can be burned.
6. For vacuuming just pres the vacuum pedal (9), as long as you pres pedal, you can get vacuuming.



Do not forget vacuuming continuously. This situation causes to get upper table wet by cooling and break motor down by warming extremely.

7. Pull at changing rod (7) for arm vacuuming, than pres the vacuum pedal (9).
8. For type of HSL-KP-02GKI, open the arm heating switch (13) if you want heating arm.

USING INSTRUCTIONS



1. Turn on hand iron switch (**4**).
2. Adjust hand iron thermostat (**B**) to your temperature reference.
3. Let steam go out by pressing hand iron switch (**A**).During you are pressing the switch it will continue.

MAINTANENCE INSTRUCTIONS

Before reparation, turn the main switches absolutely off. If you take away the protective parts during the maintenance, you have to be careful hot places.

- End of work; turn off the main switches. Turn on discharge valve for evacuating steam.
- Bimonthly, fill the water tank with water and adequate lime preventive than turn on the machine. Allow the machine to idle 1 hour. After that turn on discharge valve (**17**) for evacuating dissolution lime.

DISMANTLING AND DISPOSAL

The usage life of the steam tube in the machine is 10 years. (By 8 hours working per day).When machine is gotten out of run, all its spare parts can be waste away to a junk yard. No parts contain any harmful material for environment.

TROUBLE FIXING

PROBLEM	CAUSE	CHECKS
THE STEAM GENERATOR DOES NOT WORK	**No electricity on the boiler	*Be sure the cable(23) connect the wall fuse correctly.
	*Main switch(5) may be broken.	*Call the service
	*Water tank may be empty.	* Check water level in the water tank.
	*Water control relay may be broken.	* Call the service
THE STEAM PRESSURE DOES NOT GET HIGH	*Pressure switch may be out of order. *Boiler resistance may be out of order. *Main switch may be out of order *Water control relay may be broken.	* Call the service
	*Water tank may be empty.	* Check water level in the water tank.
THE STEAM PRESSURE GETS OVER 5 BARS	*Pressure switch may be out of order. * On the electricity panel which starts up boiler resistance may be out of order.	*Call the service
THE UPPER PLATE IS NOT GETTING HOT	*Table surface heating element may be broken. *Thermostat (6) may be broken	* Call the service
	* Thermostat (6) may be switch off	* Control thermostat adjustment

TROUBLE FIXING

PROBLEM	CAUSE	CHECKS
THE PUMP DOES NOT PUMP WATER INTO THE BOILER	* Water pump may be out of order.	*Call the service
	* Water solenoid valve may be out of order.(white color, near the pump)	
	*Non-returns valves maybe out of order(yellow color, near the pump,2units)	
	*Air may enter into the pump	*Disconnect the pump air taking screw (yellow), fill it up with water, connect the screw again and let star work the machine.
	*Water tank may be empty	*Check water level in the water tank. If there is not enough water complete it.
HAND IRON DOES NOT WORK	*Hand iron may be broken.	*Change new one or repaired.
	*Hand iron plug may be connect counter.	*Turn the plug counter direction and connect again.
HAND IRON HEATING BUT DOES NOT SEND STEAM	*Soloneid valve (14)maybe broken	* Call the service
	*Hand iron base may be clogged.	*Clean the hand iron base with suitable material.
	*Steam hose may be craked.	*Change new one.

İMALATÇI/MANUFACTURER: HASEL ÜTÜ
SAN.TİC.LTD.ŞTİ.

FABRİKA/FACTORY: İkitelli Org.San.Böl.Demirciler San.Sit.
B2 Blok No: 71-72 Başakşehir/Istanbul -TURKEY

Tel: +90 212 671 32 43

Tel: +90 212 230 68 33

Tel: +90 212 520 74 40

WhatsApp: +90 541 769 60 24

Fax: +90 212 671 32 44

WEB: www.haselutu.com.tr

E-MAIL: hasel@haselutu.com.tr